

## ACIONAMENTO PARA DISJUTOR



**Tipo de Proteção:** Montagem em invólucros Ex “d” ou Ex “tb”, com furações M22 x 1,5.








**Marcação:** Ex d IIC Gb / Ex tb IIIC Db

**Área de Aplicação:** Zonas 1, 2, 21 e 22.

**Grau de Proteção:** IP-66.

**Temperatura de trabalho:** -50°C a 60°C.

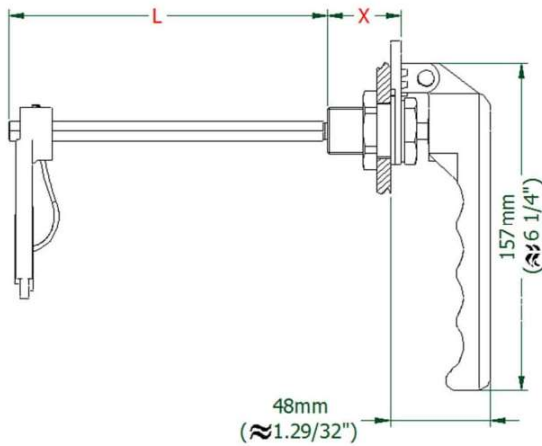
### TECHNICAL SPECIFICATION

TYPE OF PROTECTION	Ex “d” – Flameproof Ex “tb” – Dust ignition protection	Explosion proof Dust ignition proof	Ex “d” – Flameproof Ex “tb” – Dust ignition protection
MARKING	Ex d IIC Gb Ex tb IIIC Db	Class I, Groups B, C, D Class II, Groups E, F, G Class III	 II 2 G Ex db IIC / IIB +H <sub>2</sub> Gb II 2 D Ex tb IIIC Db
AREA OF APPLICATION	Zone 1 Zone 2 Zone 21 Zone 22	Class I, Div 1 & 2, Groups B, C, D. Class II, Div 1 & 2, Groups E, F, G. Class III	Zone 1 Zone 2 Zone 21 Zone 22
INGRESS PROTECTION	IP66W (W: salt spray)	Type 4X	IP66W (W: salt spray)
TEMPERATURE RANGE	-50°C to 60°C (-40°F to 158°F)	-50°C to 60°C (-40°F to 158°F)	-50°C to 60°C (-40°F to 158°F)
THREAD SIZE	M22 x 1,5 3/4” NPSM	M22 x 1,5 3/4” NPSM	M22 x 1,5 3/4” NPSM
THREAD LENGTH	35mm (Normal) 50mm (Long) 67mm (Extra Long)	35mm (Normal) 50mm (Long) 67mm (Extra Long)	35mm (Normal) 50mm (Long) 67mm (Extra Long)
INSTALLATION	for M22x1.5 THREAD in Ex “d” enclosures : (min. wall thickness : 8mm engaged thread) in Ex “tb” enclosures : (min. wall thickness : 3 mm engaged thread) for 3/4”NPSM THREAD in Ex “d” enclosures : (min. 5 fully engaged threads) in Ex “tb” enclosures : (min. wall thickness : 3,7 mm engaged thread)	for M22x1.5 THREAD in Ex “d” enclosures : (min. 6 fully engaged threads) in Ex “tb” enclosures : (min. wall thickness : 3 mm engaged thread) for 3/4”NPSM THREAD in Ex “d” enclosures : (min. 7 fully engaged threads) in Ex “tb” enclosures : (min. 3 fully engaged threads.)	for M22x1.5 THREAD in Ex “d” enclosures : (min. wall thickness : 8mm engaged thread) in Ex “tb” enclosures : (min. wall thickness : 3 mm engaged thread) for 3/4”NPSM THREAD in Ex “d” enclosures : (min. 5 fully engaged threads) in Ex “tb” enclosures : (min. wall thickness : 3,7 mm engaged thread)
ROD LENGTH	150mm (≈ 5.29/32") 200mm (≈7.7/8")	150mm (≈ 5.29/32") 200mm (≈7.7/8")	150mm (≈ 5.29/32") 200mm (≈7.7/8")
CERTIFICATE OF COMPLIANCE	  <b>INMETRO</b> CEPEL 97.0007U	  CSA I UL CSA: 2719982 UL: E489210	  ATEX   IECEx Sira 16ATEX1176U IECEx CSA 16.0032U

**4 DIMENSIONS**

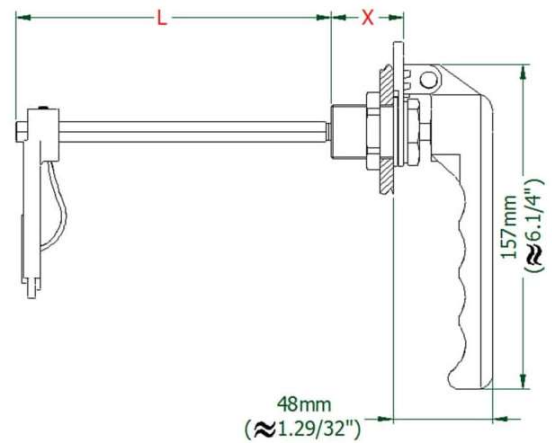
M22 x 1,5

3/4" NPSM



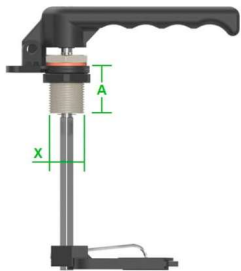
L	
(mm)	(inch)
150mm	≈ 5.29/32"
200mm	≈ 7.7/8"

X	
(mm)	(inch)
35mm	≈ 1.3/8"
50mm	≈ 1.31/32"
67mm	≈ 2.5/8"



**EXXADA2 A + B + C + D + E**

**X** THREAD SIZE



X	
CODE	SIZE
22	M22x1,5
26	3/4"NPSM

**A** THREAD LENGTH

A	
CODE	SIZE
N	35mm
L	50mm
X	67mm

**B** AUTOMATIC RETURN



CLOCKWISE



COUNTERCLOCKWISE

CODE

**H**

**A**



SLIDER Ø22mm

**22D**



SLIDER 15x26mm

**15G**



SLIDER 12x26mm

**12G**



SLIDER 10x26mm

**10G**